



# DLEDW-300, -310, -330 - Installation instructions

## Important information

**Caution**  
This product must be installed in accordance with the applicable installation code by a person familiar with the construction and operation of the product and the hazards involved. We recommend you use a licenced electrician.

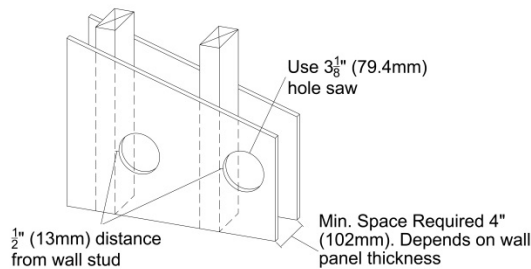
This product is designed to be wall mounted and is suitable for use outdoors in wet locations. Follow detailed instructions for wet location installation. To reduce the risk of fire, electrical shock, or injury to persons, turn off power before installation or maintenance. Do not use luminaire with a damaged lens, body or cable.

### Installation into existing drywall / plywood / OSB.

This product is designed to be installed after wall sheeting material has been applied. Hole must have minimum depth of 4" (102mm). This product is supplied with its own plastic UL approved housing. Use appropriate 1/2" (12.7mm) strain relief (not supplied).

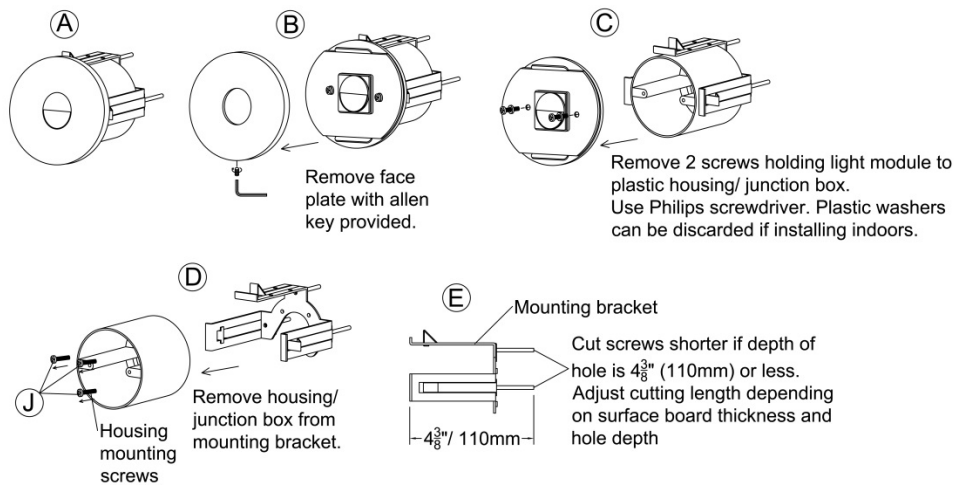
### Cutting hole:

- Find exact locations for wall studs. Hole must be cut a minimum of 1/2" (13mm) from the outside of the stud. Make sure that there are no wires or pipes in the location behind your hole.



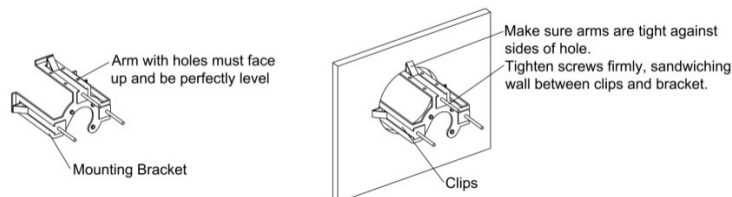
### Preparation to install fixture:

- Your wall light comes fully assembled in the package. Separate all the parts as shown:

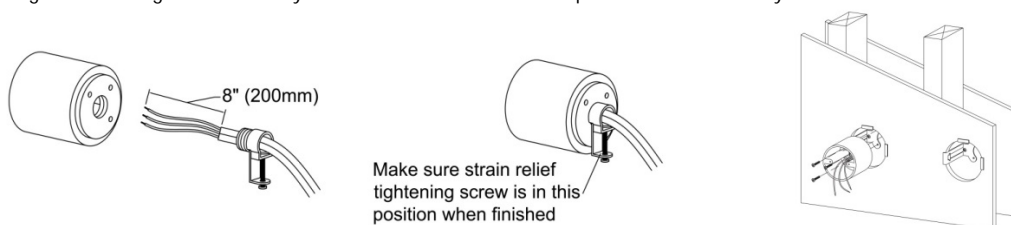


### Proceed to install fixture:

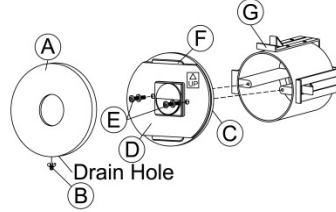
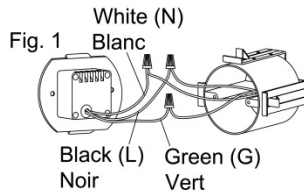
- Make sure the electrical wire is easily accessible behind the hole in the wall
- Install mounting bracket



- Find wire behind the wall. Pull through hole. Remove protective outer covering to 8" (200mm). Attach UL approved strain relief to wire (not supplied). Feed wire into plastic housing, then screw housing onto strain relief. Note position of protruding screw from strain relief.
- Install plastic housing into mounting bracket already installed in wall. Use 3 screws provided to attach firmly.



- 1) You are now ready to install the LED light
- 2) For indoor application rubber gasket (C) is not required and can be discarded. The rubber washers for mounting screws (E) can also be discarded.
- 3) Make electrical connection as per instructions (Fig. 1). Connect black fixture wire to black wire from power source, white wire to white neutral and green fixture wire to (ground) green wire or base copper wire. Use proper size wire nuts (marrets) – not supplied. Make sure connections are completely covered by wire nuts.  
\* Multiple fixtures (up to 200) can be wired together in parallel.
- 4) Gently place / push all wiring into black plastic housing.
- 5) You are now ready to attach back plate (D) to plastic housing. Use two mounting screws (E) provided. Tighten securely.
- 6) Face plate (A) can now be installed. Hook top of face plate onto tab (F). Push bottom of plate towards the wall until flush. Tighten set screw (B) with allen key provided.



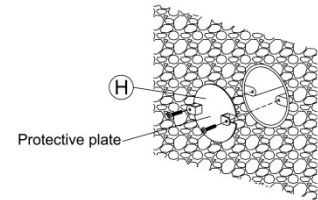
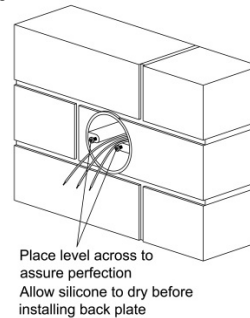
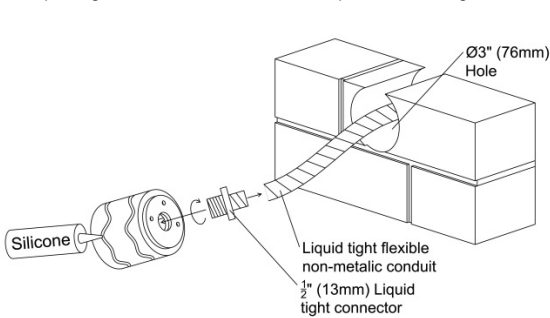
#### Wet Location Installation



Leave drain hole exposed.  
No silicone here.  
Drain hole must be facing down.

#### Installation in brick or mortar or concrete:

- 1) This installation does not require the use of the mounting bracket (G). This can be removed and discarded.
- 2) Drill a 3" (76mm) hole in brick or concrete. Make sure that depth is at least 4" (100mm). For this application you will need to use ½" (13mm) UL approved liquid tight connector along with liquid tight flexible non-metallic conduit (Carflex®). These parts are not included and must be purchased separately.
- 3) Attach liquid tight ½" (13mm) connector to plastic housing then attach liquid tight flexible non-metallic conduit. Pull wire through conduit into housing.



- 4) Push plastic housing into wall opening. Seal into place using outdoor rated clear silicone (not included). Make sure housing is level before allowing silicone to dry.
- 5) Use the mounting screws from back plate so that level can be place across them.
- 6) If setting plastic housing in concrete use protective plate (H) to stop concrete or mortar from entering plastic housing.
- 7) Once plastic housing is firmly in place and silicone has set, proceed to install fixture as per instructions above.

#### Waterproof installation:

For outdoor installations please incorporate the following procedures:

- 1) Use liquid tight connector along with liquid tight flexible non-metallic conduit (Carflex®). These parts are not included and must be purchased separately.
- 2) Use rubber washers (supplied) when attaching back plate to plastic housing and when securing plastic housing to mounting bracket (G).
- 3) We recommend that installer run a bead of clear outdoor rated silicone (not included) between gasket and wall surface. This will prevent seepage of water into fixture. Be careful not to plug drain hole.

#### Dimming

This product can be dimmed if required. The only dimmer approved for this function is the Lutron MAELV. Use of any other dimmer will void warranty.



#### WARRANTY

Dainolite Ltd. offers a 5 year factory warranty from date of purchase on all LED wall light products. This warranty is expressly limited to repair or replacement of defective product only. Any consequential damages or labor costs arising from a defect are excluded.

Not all dimmer switches are compatible to be used with Dainolite Ltd. LED products. Consult product instruction sheet for list of approved dimmers. Use of unapproved dimmer will nullify your warranty.

Dainolite's obligation under this warranty shall not extend beyond the distributor's initial purchase price of the product.

This warranty does not apply to products that have been altered, improperly installed, mishandled or misused.

#### DO NOT RETURN PRODUCT TO THE RETAILER.

#### For warranty:

Contact the factory directly in writing: Email [dainolite@dainolite.ca](mailto:dainolite@dainolite.ca). Include copy of purchase invoice and describe defect. A factory person will contact you directly to advise what further action will be taken.

#### For missing hardware or broken glass:

Contact the factory directly in writing: Email [dainolite@dainolite.ca](mailto:dainolite@dainolite.ca). The missing or broken parts will be shipped to you directly the same day after receipt of your email (weekend excluded).